

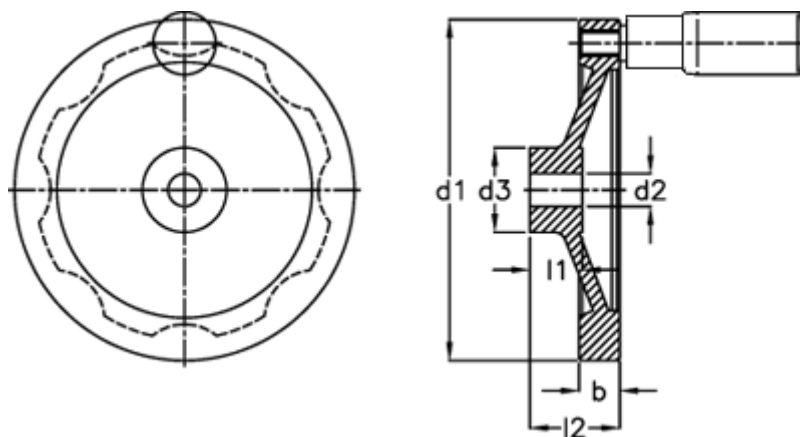
# Data Sheet



Article number: 20379307

Description: E+G Handwheel  
GN 323-140-K16-R

## Measures



b = 16.5

d1 = 140

d2 H7 = 16

d3 = 36

Handle = 24

l1 = 19

l2 = 36